

Brandt

COOKER HOOD USE MANUAL INSTALLATION INSTRUCTION

AD995XC

To avoid the risk of accidents or damage to the appliance
it is essential to read these instruction before
it is installed or used for the first time.

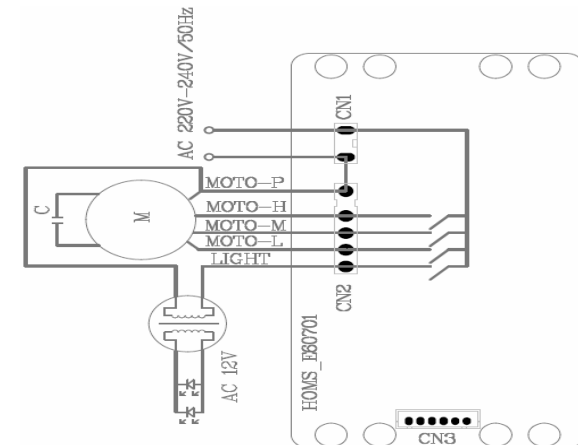
Table of Contents

• From the Manufacturer	3
• Specifications	4
• SAFETY : Read this first !	5
• Description of Parts	7
• Ducted vs. Recirculation version	8
• Installation	
Wall drilling and bracket fixing	9
Mounting the hood body	11
Connections	11
Chimney assembly	13
• Cleaning & Maintenance	13
• Operation	14
• Troubleshooting	15
• Schematic Diagram	15

Troubleshooting

Symptoms	Possible Cause	Action
Motor does not working	No electrical supply	Ensure the plug is connected properly.
		Reset circuit breaker.
Poor airflow	Aluminum filters clogged	Clean the filters and replace when dry
	Charcoal filters clogged	Replace the new charcoal filters
Motor running but no airflow	Butterfly valve jammed	Contact technician
Motor cuts after a few minutes	High temperature safety device activated.	The kitchen is not sufficiently ventilated.
	The hood is installed too near the cooking stove.	The hood must be at least 75cm from stove.
Oil dripping onto stove	Aluminum filter saturated.	Wash the aluminum filters.
Whirring sound	Foreign object in contact with fan blade.	Contact technician.
Lamps do not light up	Lamps are burnt out.	Change the lamps.
	Lamps are loose.	Tighten the lamps.

Schematic Diagram



Operation



The hood is equipped with 3 speed control. Electronic control buttons are located on the front edge of the range hood canopy or enrichment panel.



Light On/Off Button

Switch the lighting system on and off.



Blower On/Off and Low Speed Button

Switches the extractor motor on and off at low speed. Used to provide a continuous and silent air change in the presence of light .cooking vapors.



Blower On/Off and Medium Speed Button

Switches the extractor motor on and off at medium speed. Suitable for most operating conditions given the optimum treated air flow/ noise level ratio.



Blower On/Off and High Speed Button

Switches the extractor motor on and off at high speed. Used for eliminating the highest cooking vapors emission, including long



Blower Off with Delay Timer Button

Switches the extractor motor off at the selected speed with 3-15 minutes (3 minutes increment) delay to off the blower automatically. Press the button for the sixth time to cancel the timer function.

From the Manufacturer

- This appliance and its packaging are produced by processes that minimize waste and respect the environment.
- Please help us to continue the protection of the environment by disposing of the packaging in a correct manner.

Safety !

- Cling film, polystyrene and plastic wrappings must be kept out of reach of babies and young children, to avoid the danger of suffocation.
- Electrical and electronic appliances often contain materials which, if handled or disposed incorrectly, could be potentially hazardous to human health and environment. Please do not dispose of your old appliance with your household waste.

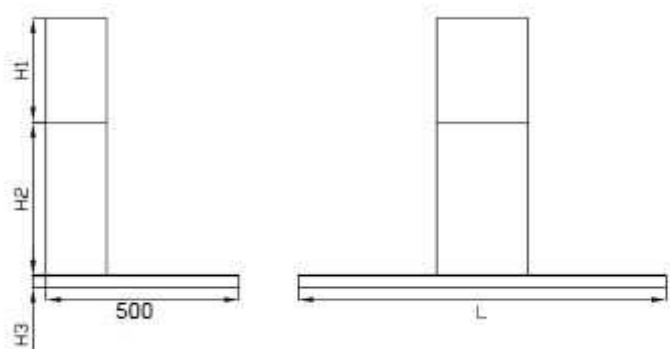


- Please dispose it at your local community waste collection / recycling centre and ensure that it presents no danger to children while being stored for disposal.
- It should be unplugged or disconnected from the mains electricity supply by a competent person. If connected by a plug, the plug must be rendered useless and the cable cut off directly behind the appliance to prevent misuse.

Specifications

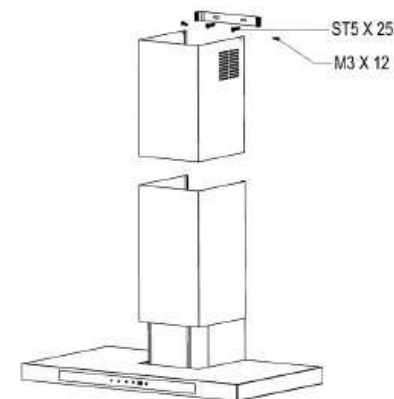
Input	:	220-240V 50-60Hz
Absorbtion	:	408 W (LED)
Motor	:	400W

External Dimensions



Dimension	L	H1	H2	H3
Model				
AD995XC	900mm	470mm	470mm	80mm

Chimney assembly



Upper chimney

- Slightly widen the two sides of the upper chimney and hood them behind the mounting brackets, ensuring that they are well seated.
- Secure the sides of the brackets using 4 screws (M3 X 12).

Lower chimney

- Slightly widen the two sides of the chimney and hook them between the upper chimney and the wall, ensuring that they are well seated.
- Fix the lower parts laterally to the hood body using 2 screws (ST4 X 8).
-

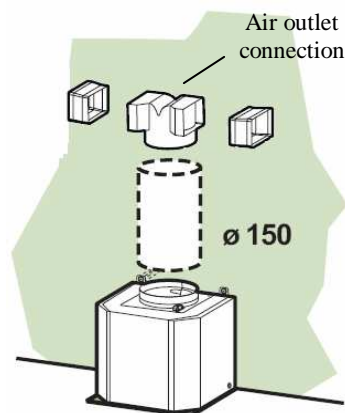
Cleaning & Maintenance

SURFACES : Wash with warm soapy water and a soft sponge. Never use abrasive detergent, scouring pads, steel wool or solvents on any part of this appliance as this will cause irreparable damage. Dry the kitchen hood using a cloth that does not produce fluff.

BAFFEL FILTERS : Wash in the dishwasher, it is advisable to stack them vertically to avoid food residue sticking to them. Or soak it in a degreasing agent until grease dissolve and rinsing them under the tap, then rinse off.

RECIRCULATION MODE AIR OUTLET

- Insert the connection extension pieces laterally in air outlet connection.
- Make sure that the outlet of the extension pieces is horizontally and vertically aligned with the chimney outlets.
- Connect the air outlet connection to the hood body outlet using either a flexible or rigid pipe with $\varnothing 150$ mm.
- Ensure that the activated charcoal filters have been inserted.



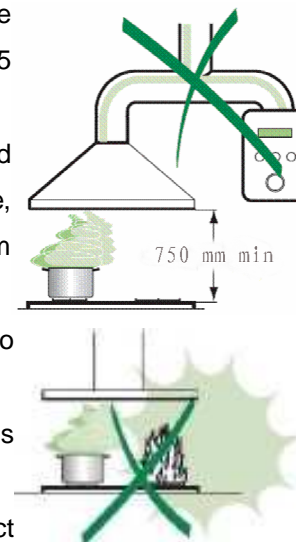
ELECTRICAL CONNECTION

- The electrical tension must correspond to the tension noted on the label placed inside the cooker hood.
- Connect the electrical plug, where provided, to an easily accessible outlet in conformity with local standards in force.
- Where an electrical plug is not provided (*for direct connection to electrical network*) place a standards approved bipolar switch with an aperture distance of not less than 3mm (*accessible*) from the contacts.

Attention: substituting the supply cable must be carried out by authorized technical assistance service.

SAFETY : Read this First !

- Do not connect the appliance if there are obvious signs of transportation damage.
- Read this user manual thoroughly before attempting to use this appliance.
- Installation and repair should be attempted only by qualified technical personnel.
- It is dangerous to modify any part of this appliance.
- The manufacturer declines all responsibility in case of failure to adopt proper safety measures.
- Ensure the location in which this appliance is installed has good, permanent ventilation.
- The distance between the bench top to the lower part of the hood must not be at least 75 cm or higher.
- The exhaust from the canopy range hood must not be discharged into any heating flue, which may carry combustion products from other sources.
- Do not leave lit gas burners exposed due to risk of fire.
- Use an electrical connector with earth that is correct for your location.
- Check that the voltage in your area is correct before plugging in.
- The electrical connection of this appliance must be connected to earth.



Green & yellow	=	EARTH
Blue	=	NEUTRAL
Brown	=	LIVE

- This appliance should be connected directly to the fused disconnect (or circuit breaker) through flexible, armored or nonmetallic sheathed copper cable.
- Multiple plugs and extension cables must not be used. Overload is dangerous and may cause a fire.
- Ensure that the power chord is free from any heat source or sharp objects.
- The appliance should be switched off and the electrical supply disconnected before any cleaning or maintenance work can be carried out.
- Allow some slack in the cable so the appliance can be moved if servicing is ever necessary.

Lack warning:

1) This appliance is not intended for use by persons (including children) with reduced physical, sensory or mental capabilities, or lack of experience and knowledge, unless they have been given supervision or instruction concerning use of the appliance by a person responsible for their safety.

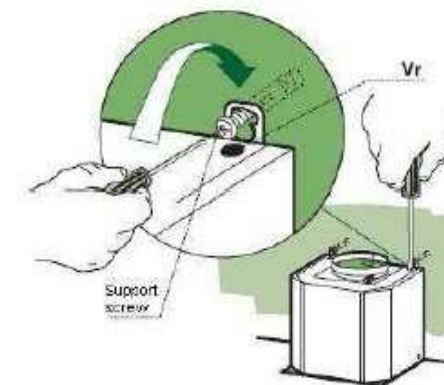
Children should be supervised to ensure that they do not play with the appliance.

2) If the supply cord is damaged, it must be replaced by the manufacturer, and use the genuine parts only.

3) There is a fire risk if cleaning is not carried out in accordance with the instructions.

Aligning the hood body

- Before attaching the hood body, adjust the two screws located on the hood body mounting points.
- Hook the hood body onto the support screws and tighten the support screws fully.
- Adjust screws to level the hood body.



Connection

DUCTED MODE AIR EXHAUST SYSTEM

- When installing the ducted mode, connect the hood to the chimney using either a flexible or rigid pipe with \varnothing 150mm.
- Fix the pipe in position using sufficient pipe clamps (not supplied).
- Remove any activated charcoal filters.

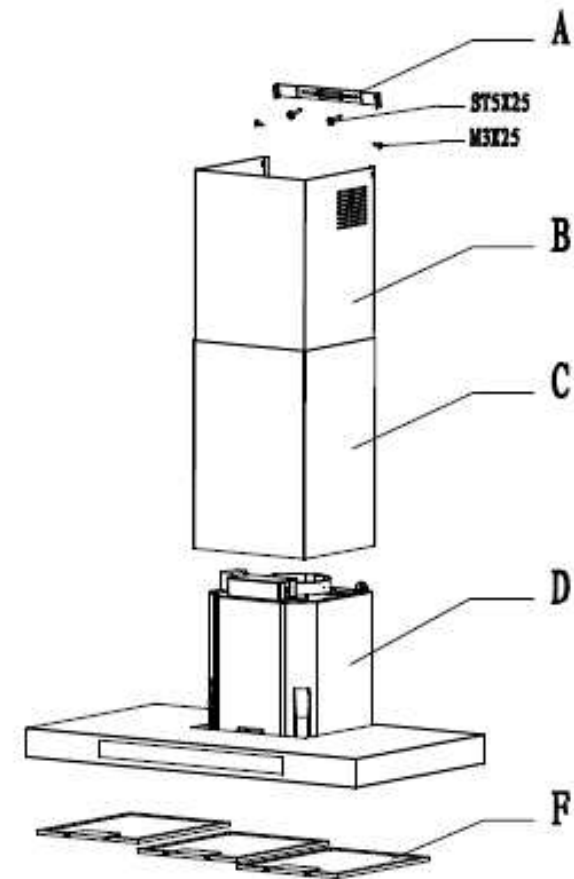


- Mark the center of the bracket holes and drill $\phi 8$ mm holes. Insert wall plug in the wall. Secure mounting bracket firmly using 2 (ST5 x 25) screws.
- Fix the upper chimney cover to both mounting bracket using 2 (M3 x 12) screws.
- Slide the lower chimney cover downwards and ensure that it is well seated on the hood body.

Description of Parts

AD995XC

- A. Chimney Mounting Bracket
- B. Upper Chimney Cover
- C. Lower Chimney Cover
- D. Motor Housing
- F. Baffle Filters

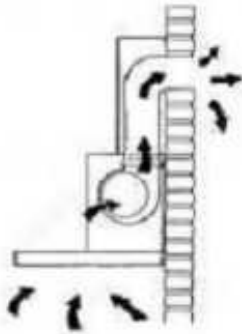


Ducted vs. Recirculation mode

You can choose to install the hood as a ducted or recirculation mode :-

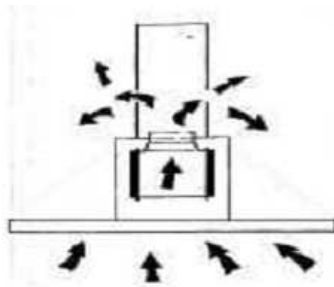
- Ducted mode (Vented mode)

In the ducted mode, air is drawn into the hood, fats are trapped by aluminum filters. Odors, fumes and condensation are then expelled to the outside. In this mode, only the aluminum filters are installed.



- Recirculation mode

In the recirculation mode, air is drawn into the hood, fats are trapped by the aluminum filters, the air then passes through charcoal filters to remove cooking odors, the purified air is then passed back into the kitchen. In this mode, both the aluminum filters and the charcoal filters must be installed.



Installation

Wall drilling and bracket fixing

